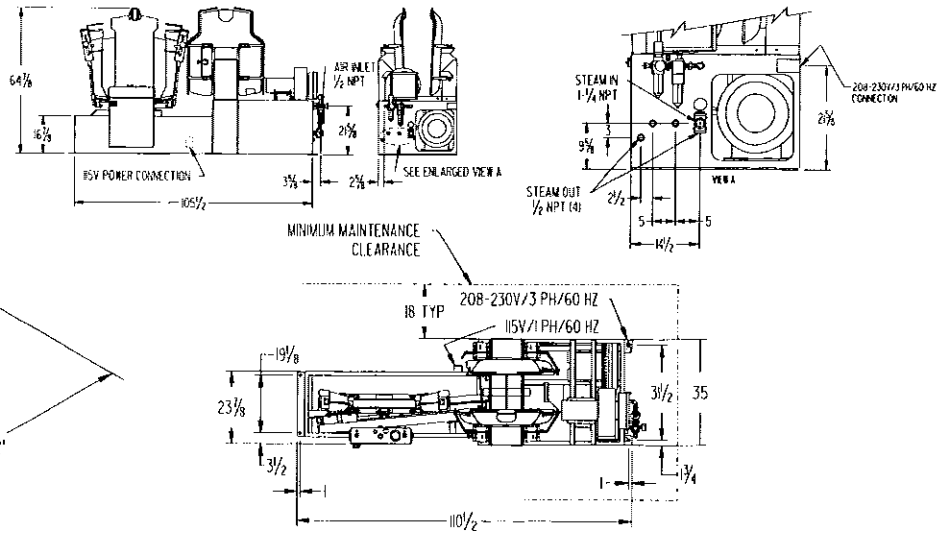
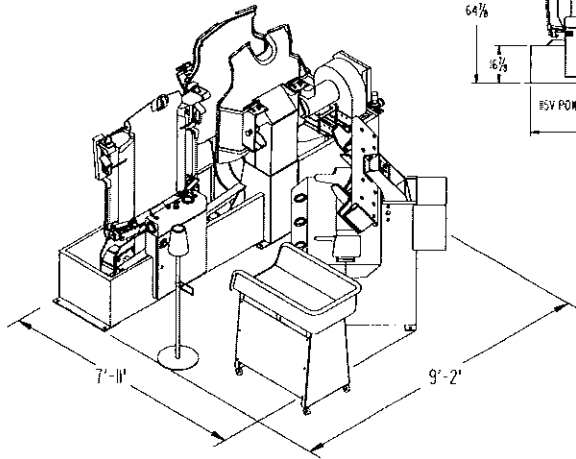
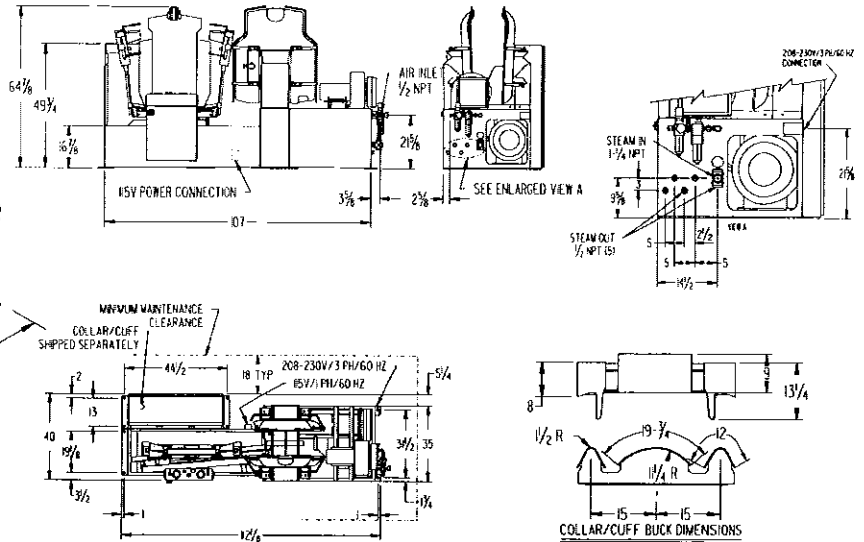
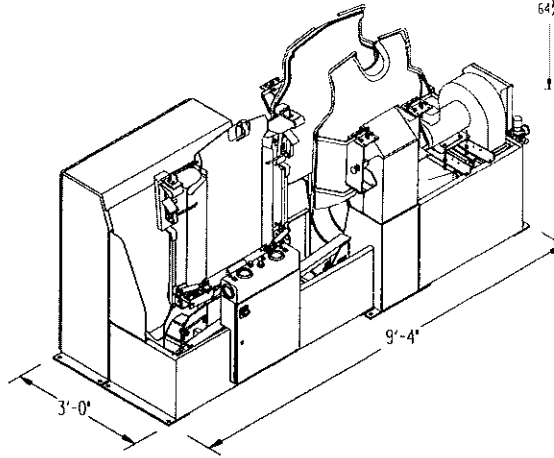


# TECHNICAL DATA

## LIGHTNING NT



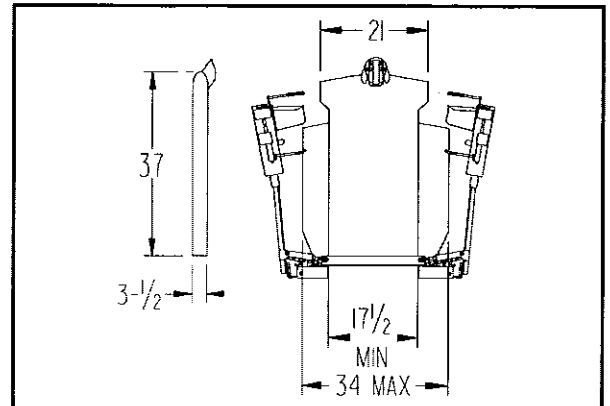
## LIGHTNING NT 1



## SPECIFICATIONS

LIGHTNING	NT	NT1
Overall Height	64 7/8"	64 7/8"
Overall Length	110	112 1/8"
Overall Width	35"	40"
Steam Inlet (1)	1-1/4" NPT	1-1/4" NPT
Steam Outlet	1/2" NPT (4)	1/2" NPT (5)
Steam Supply	100-125 PSI	100-125 PS
Boiler Horsepower	2.5 BHP	3-1/4 BHP
Air Inlet	1/2" NPT	1/2" NP
Air Supply	85 PSI	85 PSI
Air Consumption/cycle	3 1/2 Cubic Feet/Cycle	4 1/2 Cubic Feet/Cycle
Electrical Press	115V/1/60	115V/1/60
Electrical Blowers	208/230V/3/60	208/230V/3/60
Amperage Press	1 AMP @ 115 volt	1 AMP @ 115 volt
Amperage Blowers	15.4 AMP @ 230 volt	15.4 AMP @ 230 volt
Net Weight	2300 lbs	3200 lbs

## BUCK DIMENSIONS



# UNIPRESS

3501 Queen Palm Drive Tampa, Florida 33619  
 Telephone (813) 623-3731 FAX (813) 626-2565

www.unipress.com