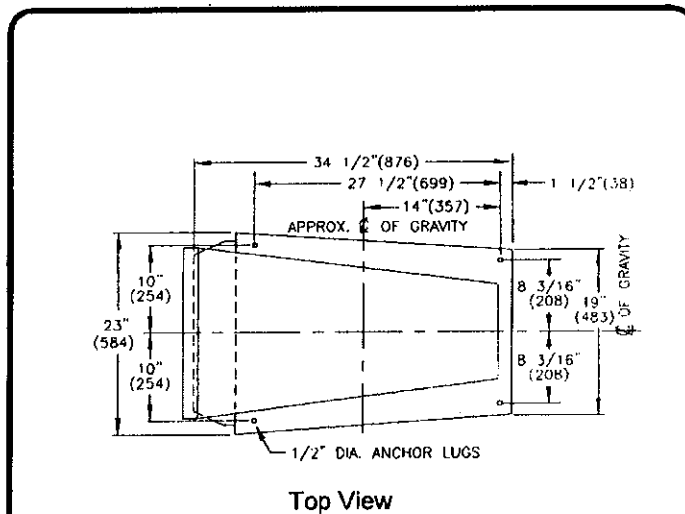


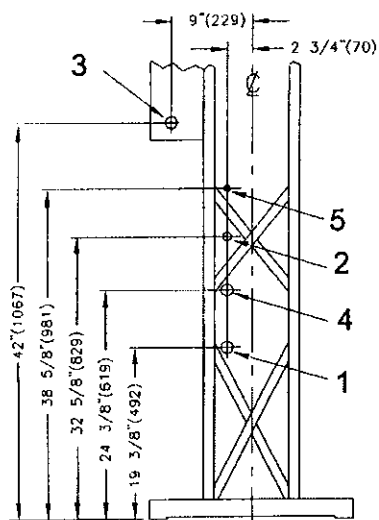
Specifications

Models 22PTS

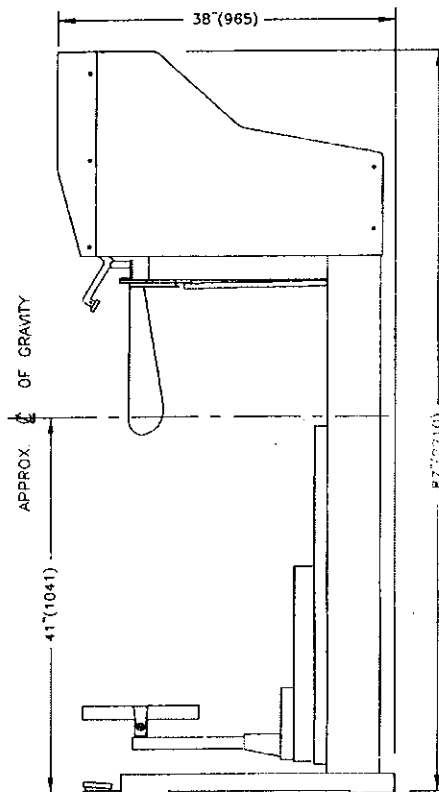
Electrical connections		22PTS
120V 50/60Hz 1PH 8Amps		standard
230V 50/60Hz 1PH 4Amps		optional
Steam and Air connection		
Steam Inlet	NPT	1/2"
Steam Outlet	NPT	1/2"
Rec. steam pressure	PSIG	75-85
	kPa	517-586
Steam consumption	BHP	1
	kg/hr	15.6
Compressed air Inlet	NPT	3/8"
Air consumption(per shirt)	free air/cycle at 55psig	.21 cu.ft
	free air/cycle at 379kPa	5.9 liters
Rec. air pressure	PSIG	55
	kPa	379
Water Inlet	NPT	1/4"
Weight (crated)		
Shipping	lbs	400
	kg	181
1 Steam Outlet	4 Steam Connection	
2 Air connection	5 Water Inlet	
3 Electrical connection		



Detail Line Drawing (millimeters shown in parentheses)



Partial Rear View



Side View