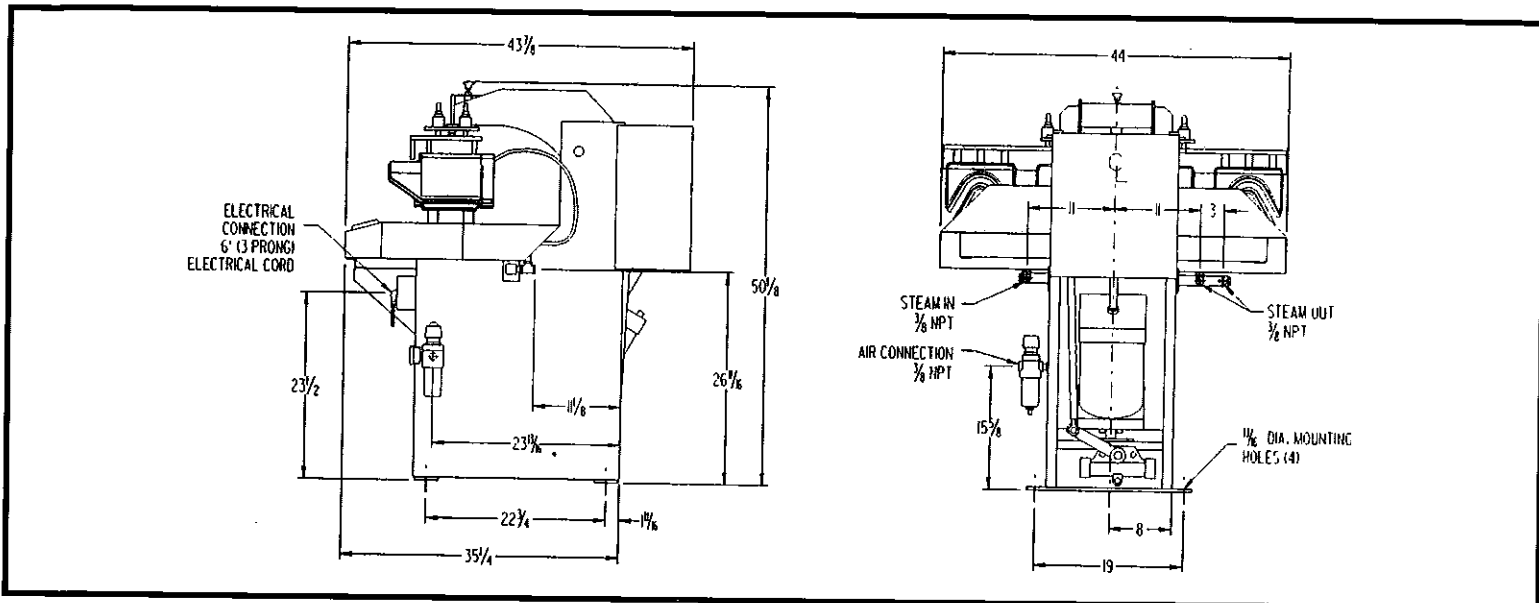
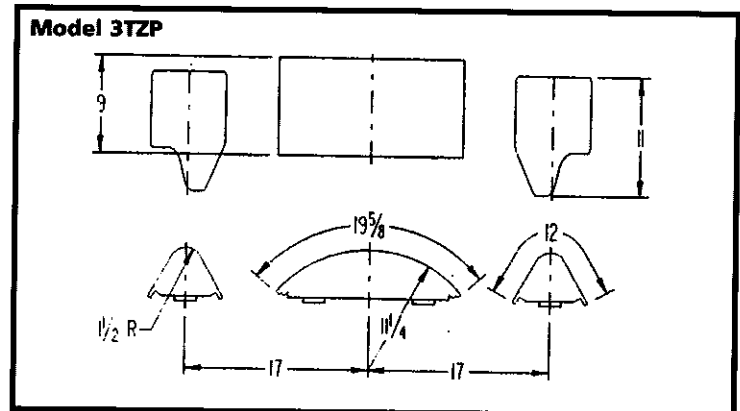
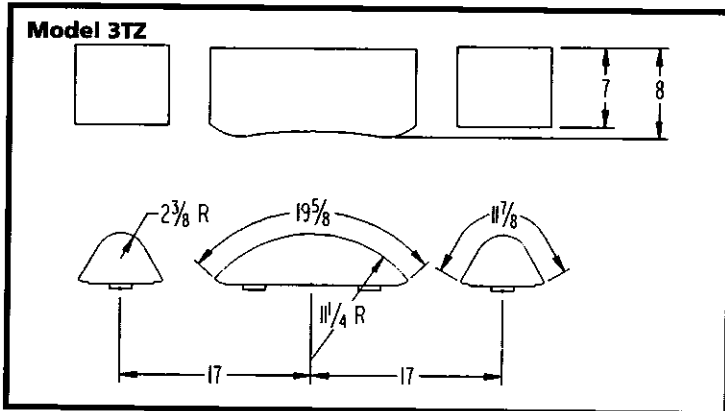


# 3TZ TECHNICAL DATA



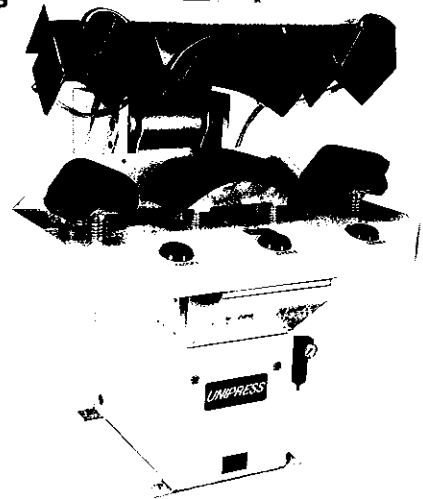
## BUCK DIMENSIONS



## SPECIFICATIONS

	3TZ
Overall Height	50 1/8"
Overall Length	43 7/8"
Overall Width	44"
Steam Inlet (1)	3/8" NPT
Steam Outlet (2)	3/8" NPT
Steam Supply	100-125 PSI
Boiler horsepower	3/4
Air Inlet	3/8" NPT
Air consumption/cycle	1 3/4 cu. ft./cycle
Air supply	85 PSI
Electrical (press)	115/1/60
Amperage (press)	1/2 AMP
Net Weight	1,000 Lbs

Model 3TZP



Unipress reserves the right to alter or vary the specifications contained in this leaflet without notice. Drawings not to scale.

# UNIPRESS

3501 Queen Palm Drive Tampa, Florida 33619

Telephone (813) 623-3731 FAX (813) 626-2565

www.unipresscorp.com